

Environmentally - Friendly Forklift Trucks



Quick parts supply



Easy maintenance



Global network

CESS SYSTEM

CESS(Construction Equipment Resource Support) is HHI's new information system on all Hyundai construction equipment for our overseas

dealers and branch offices.

<http://cess.hhi.co.kr>

15LC/18LC/20LCA -7

- **SIDE SHIFT**
- **INTEGRAL SIDE SHIFT**
- **FORK**
750mm, 850mm, 1050mm, 1200mm, 1350mm, 1500mm
- **OVER SHOE**
1300mm, 1500mm, 1700mm
- **TILTING**
6/6°, 6/5°, 3/3°
- **TIRE**
Cushion, No-marking
- **SEAT**
Pocket, Arm Rest, Hip Rest
- **LPG CLAMP**
Swing Out, Swing Down
- **M.C.V**
4-Spool
- **MASTER SWITCH**
- **BEACON LAMP**
- **HAZARD SWITCH**
- **WORK LAMP**
- **LICENCE LAMP**
- **OPSS**
Travel + Mast
- **ATTACH PIPING**
3 Spool-piping, 4 Spool-piping

※ Hyundai is continuously upgrading and improving its products. It therefore reserves the right to supply products, which may differ slightly from description and illustration in this catalog. For further information on options, consult with Hyundai's dealer. Specifications are subject to change without notice.



Head Office (Sales Office)	1 JEONHA-DONG, DONG-GU, ULSAN, KOREA Tel : (82) (52) 202-7970, 7729 Fax : (82) (52) 202-7979, 7720
U.S. Operation	Hyundai Construction Equipment U.S.A., Inc. 955 ESTES AVENUE, ELK GROVE VILLAGE IL, 60007 Tel : (1) 847-437-3333 Fax : (1) 847-437-3574
European Operation	Hyundai Heavy Industries Europe N.V. VOSSENDAAL 11, 2440 GEEL, BELGIUM Tel : (32) 14-562200 Fax : (32) 14-593405 - 06

PLEASE CONTACT

www.hyundai-ce.com

2008. 01 Rev 0.



■ Some of the photos may include optional equipment.

15LC/18LC/20LCA-7

FORKLIFT TRUCKS **Environmentally - Friendly**



We build a better future

Superior Power & High Performance



OPSS (Operator Presence Sensing System)
Control of mast tilting, lifting and lowering is not possible through operation of the appropriate control when the operator is not in the normal position. (Lift / Tilt Lock, Option)

15LC/18LC/20LCA -7

Hyundai introduces a new line of 7-series LPG forklift trucks. Excellent power and performance makes your business more profitable.

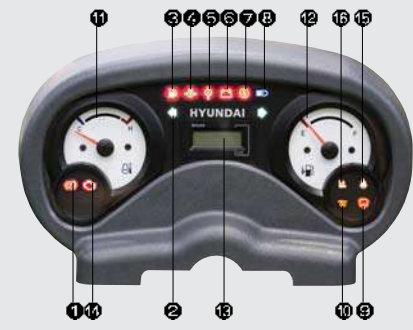


HMC BETA ENGINE 37 kW / 2,450 rpm

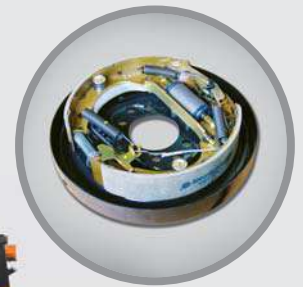
High Efficient Engine
Market approved quality of HMC BETA engine ensures incomparable performance, durability and additional value to the machine. 37kW of the engine is more than enough to suit any work, not just with normal 37kW but with special attachments requiring high power as well. (EPA/CARB TIER-3)

Smooth running, efficient and ergonomically designed, 15LC/18LC/20LCA-7 series are made to meet your needs.

Operator friendly gauges and water-resistant monitor panel



- 1 Parking brake lamp
- 2 Directional indicators
- 3 Fuel warning lamp
- 4 Engine oil warning lamp
- 5 Transmission oil temperature warning lamp
- 6 Battery charging warning lamp
- 7 Air cleaner filter warning light
- 8 Working light indicator
- 9 Water separator lamp
- 10 Pre-heater indicator
- 11 Water temperature gauge
- 12 Fuel gauge
- 13 Hour meter
- 14 Engine check lamp
- 15 Seat belt warning
- 16 OPSS warning



Clean and reliable brakes
The adoption of DUO-SERVO automotive type drum brake improves braking performance. A self-adjusting function maintains proper brake adjustment to compensate for lining wear.



Increased mast tilting angle
Utilizing the mast tilting angle of 6 degrees forward and 8 degrees backward, the operator can safely and rapidly perform loading and unloading jobs.



Faster Travel Speed & Gradeability
The powerful high-output engine provides greater acceleration, better gradeability and faster travel speed on any tough terrain or slope.

Travel speed (MAX)

- 15LC-7 : 19.7 km/h (12.2 mph)
- 18LC-7 : 19.7 km/h (12.2 mph)
- 20LCA-7 : 19.7 km/h (12.2 mph)



Gradeability (MAX)

- 15LC-7 : 34%
- 18LC-7 : 31%
- 20LCA-7 : 28%

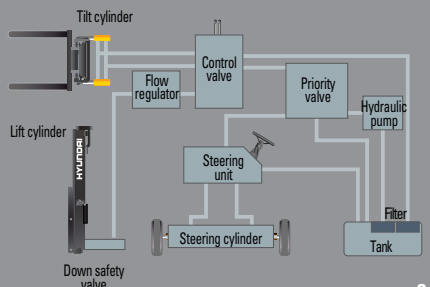
The new style 15LC/18LC/20LCA-7



Fast and stable performance
Being able to quickly raise and lower the mast, as well as tilt it forward and backward, provides the best operational conditions during unloading. When the truck is fully loaded, mast lowering speed is carefully controlled to ensure safety by the down control valve.



State-of-the-art hydraulic system
The latest large-capacity hydraulic system reacts quickly during operation, and a low-noise control valve increases both efficiency and durability.



Comfortable Operation



A design based on human engineering relieves fatigue and enhances operating performance.



Quick Response of Operating Control Levers
Only minimal operator's effort is required for precise, safe and productive control.



Multi-function switch lever
Multi-functional switch lever gives easy access to lights and horn.



Parking Brake
Ratchet type parking brake requires less efforts from the operator to set.



Adjustable steering wheel
Steering wheel with horn button can be adjusted by a lever on the right-hand side for the most comfortable operator position.



Strong overhead guard
The safety overhead guard meets EEC and ANSI regulations and protects the operator during hazardous jobs.



Cup holder & console box
Additional storage spaces are located inside the operating space for operator's convenience.



Anti restart system
The new system protects the starter from restarting during engine operation.



Ergonomically positioned pedals
Based on human engineering, the accelerator, brake and inching pedals are optimally positioned for convenience while operating the equipment.

Perfect fit
An ergonomically designed operator's compartment enables the driver to select the most comfortable working position for increased productivity.



New high visibility for safe operation
The operator is able to work with increased safety and accuracy due to a wider view mast.



Easily adjustable suspension seat
An attractive and adjustable seat, based on a human engineering design, provides great comfort, safety and durability.

High Durability & Easy Maintenance



Ergonomics driving space design!

A design based on human engineering relieves fatigue and increase operator's efficiency.



Expansion bellows
The expansion bellows absorbs vibration and reduces noise generated from the exhaust gas system and also extends the life cycle of exhaust gas system.



Fully hydrostatic power steering
A hydraulic steering system always guarantees smooth and flexible steering, preventing overrun and kick-back.



Large footboard
Wide "open" step offers convenience and safety when entering and exiting truck.



Rear safety lamp
Rear combination lamps with directional indicators, rear lights and brake lights are positioned for a high level of safety.



Centralized design for easy service!

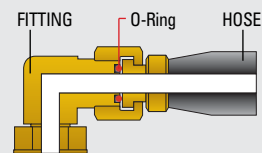
An ideal arrangement of component parts ensures easy access and convenience for maintenance.

(EPA/CARB TIER-3)

Highly durable electric shift - power transmission

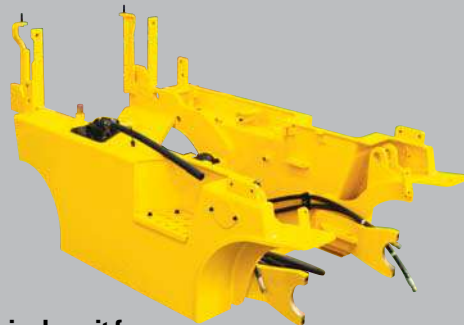


Highly Durable Split Type Drive Axle
Powershift transmission provides fast travel speed and quiet travel under any heavy load condition, and boosts work efficiency.

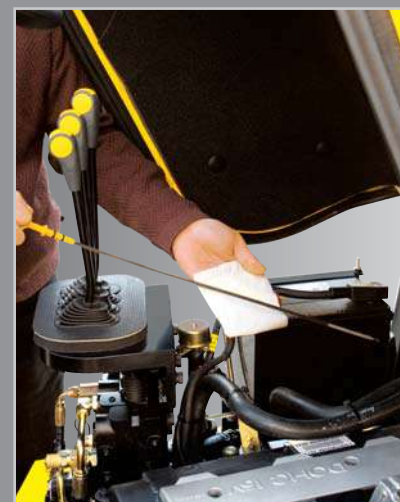


ORFS (O-Ring Face Seal)
ORFS type hose prevents the leaking of hydraulic oil.

Heavy duty single unit frame



Heavy duty single unit frame
Heavy duty single unit type frame, designed on the basis of accurate structural analysis, guarantees durability and safety.



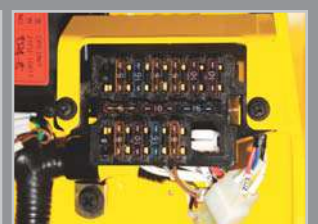
Engine oil condition check



Aluminum radiator with superb protection against heat



An accessible, compact fuse box for easy inspection



Rotational battery installation



Easy Change Air Cleaner (6 inch Cyclone Type)



Bright, protected headlights

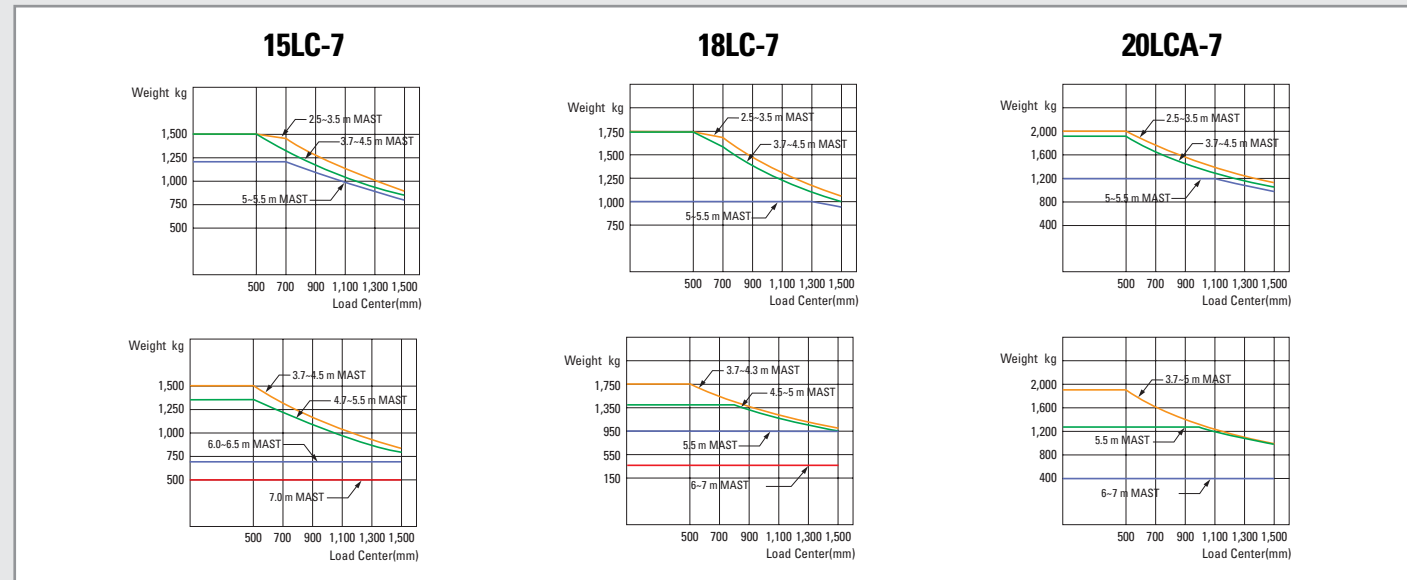
Specification & Dimension

Mast Specification

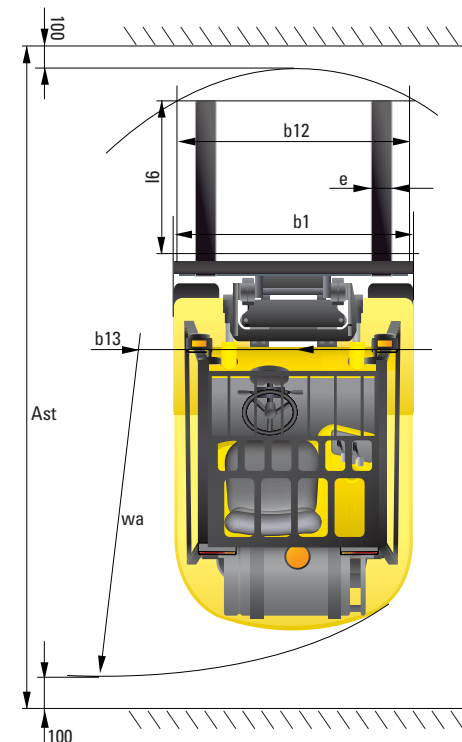
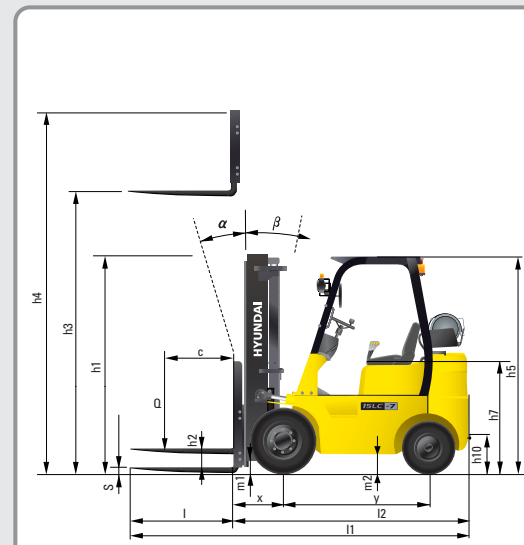
Mast Type	Overall Height Lowered mm (in)	Maximum Fork Height mm (in)	Tilt Angle (deg)		Load Capacity w / o Side Shift 500mm (24 in)LC Single Tire			Load Capacity w / Side Shift 500mm (24 in)LC Single Tire			Truck Weight Unload Single Tire			Free Lift						
			Fwd	Bwd	15LC-7	18LC-7	20LCA-7	15LC-7	18LC-7	20LCA-7	15LC-7	18LC-7	20LCA-7	With bkr			With / o bkr			
														kg(lb)	kg(lb)	kg(lb)	kg(lb)	kg(lb)	kg(lb)	mm(in)
2-Stage Limited Free Lift	V250	1,752 (67.9)	2,525 (99.4)	6	8	1,500 (3,000)	1,750 (3,500)	2,000 (4,000)	1,400 (3,000)	1,650 (3,500)	1,890 (4,000)	2,832 (6,244)	3,032 (6,685)	3,163 (6,973)	115 (4.5)	115 (4.5)	120 (4.7)	115 (4.5)	115 (4.5)	120 (4.7)
	V270	1,825 (71.9)	2,725 (107.3)	6	8	1,500 (3,000)	1,750 (3,500)	2,000 (4,000)	1,400 (3,000)	1,650 (3,500)	1,890 (4,000)	2,846 (6,274)	3,046 (6,715)	3,177 (7,003)	115 (4.5)	115 (4.5)	120 (4.7)	115 (4.5)	115 (4.5)	120 (4.7)
	V300	1,975 (77.8)	3,025 (119.1)	6	8	1,500 (3,000)	1,750 (3,500)	2,000 (4,000)	1,400 (3,000)	1,650 (3,500)	1,890 (4,000)	2,866 (6,319)	3,066 (6,759)	3,197 (7,047)	115 (4.5)	115 (4.5)	120 (4.7)	115 (4.5)	115 (4.5)	120 (4.7)
	*V330	2,125 (83.7)	3,325 (130.9)	6	8	1,500 (3,000)	1,750 (3,500)	2,000 (4,000)	1,400 (3,000)	1,650 (3,500)	1,890 (4,000)	2,886 (6,363)	3,086 (6,804)	3,217 (7,092)	115 (4.5)	115 (4.5)	120 (4.7)	115 (4.5)	115 (4.5)	120 (4.7)
	V350	2,225 (87.6)	3,525 (138.8)	6	8	1,500 (3,000)	1,750 (3,500)	2,000 (4,000)	1,400 (3,000)	1,650 (3,500)	1,890 (4,000)	2,900 (6,393)	3,100 (6,834)	3,230 (7,122)	115 (4.5)	115 (4.5)	120 (4.7)	115 (4.5)	115 (4.5)	120 (4.7)
	V370	2,325 (91.5)	3,725 (146.7)	6	8	1,500 (3,000)	1,750 (3,500)	2,000 (4,000)	1,400 (3,000)	1,650 (3,500)	1,890 (4,000)	2,913 (6,422)	3,113 (6,863)	3,244 (7,151)	115 (4.5)	115 (4.5)	120 (4.7)	115 (4.5)	115 (4.5)	120 (4.7)
	V400	2,475 (97.4)	4,025 (158.5)	6	8	1,500 (3,000)	1,750 (3,500)	2,000 (4,000)	1,400 (3,000)	1,650 (3,500)	1,890 (3,950)	2,938 (6,476)	3,138 (6,917)	3,268 (7,205)	115 (4.5)	115 (4.5)	120 (4.7)	115 (4.5)	115 (4.5)	120 (4.7)
	V450	2,825 (111.2)	4,525 (178.1)	6	6	1,500 (3,000)	1,750 (3,500)	1,975 (4,000)	1,400 (3,000)	1,650 (3,350)	1,870 (3,800)	3,004 (6,623)	3,204 (7,064)	3,335 (7,252)	115 (4.5)	115 (4.5)	120 (4.7)	115 (4.5)	115 (4.5)	120 (4.7)
	V500	3,075 (121.1)	5,025 (197.8)	6	6	1,500 (3,000)	1,300 (2,850)	1,600 (3,300)	1,400 (2,525)	1,220 (2,700)	1,415 (3,125)	3,038 (6,697)	3,238 (7,138)	3,368 (7,426)	115 (4.5)	115 (4.5)	120 (4.7)	115 (4.5)	115 (4.5)	120 (4.7)
V550	3,325 (130.9)	5,525 (217.5)	6	5	1,200 (2,425)	1,000 (2,200)	1,200 (1,875)	1,030 (2,271)	940 (2,075)	800 (1,750)	3,058 (6,743)	3,258 (7,184)	3,389 (7,471)	115 (4.5)	115 (4.5)	120 (4.7)	115 (4.5)	115 (4.5)	120 (4.7)	
3-Stage Full Free Lift	TF370	1,805 (71.1)	3,735 (147.0)	6	6	1,500 (3,000)	1,750 (3,500)	2,000 (4,000)	1,400 (3,000)	1,650 (3,500)	1,890 (4,000)	2,991 (6,593)	3,191 (7,034)	3,319 (7,317)	768 (30.2)	768 (30.2)	776 (30.6)	1,269 (50.0)	1,269 (50.0)	1,277 (50.3)
	TF400	1,905 (75.0)	4,035 (158.9)	6	6	1,500 (3,000)	1,750 (3,500)	2,000 (4,000)	1,400 (3,000)	1,650 (3,500)	1,890 (3,900)	3,010 (6,636)	3,210 (7,077)	3,341 (7,365)	868 (34.2)	868 (34.2)	876 (34.5)	1,369 (53.9)	1,369 (53.9)	1,377 (54.2)
	TF430	2,005 (78.9)	4,335 (170.7)	6	6	1,500 (3,000)	1,750 (3,500)	1,975 (4,000)	1,400 (3,000)	1,650 (3,500)	1,870 (3,800)	3,029 (6,678)	3,229 (7,119)	3,360 (7,408)	968 (38.1)	968 (38.1)	976 (38.4)	1,469 (57.8)	1,469 (57.8)	1,477 (58.1)
	TF450	2,105 (82.9)	4,535 (178.5)	6	6	1,500 (3,000)	1,750 (3,500)	1,950 (3,990)	1,400 (3,000)	1,650 (3,475)	1,840 (3,750)	3,048 (6,720)	3,248 (7,161)	3,379 (7,450)	1,068 (42.0)	1,068 (42.0)	1,076 (42.4)	1,569 (61.8)	1,569 (61.8)	1,577 (62.1)
	TF470	2,155 (84.8)	4,735 (186.4)	6	6	1,500 (3,150)	1,750 (3,500)	1,925 (3,925)	1,400 (2,975)	1,650 (3,425)	1,815 (3,700)	3,060 (6,746)	3,260 (7,187)	3,391 (7,475)	1,118 (44.0)	1,118 (44.0)	1,126 (44.3)	1,619 (63.7)	1,619 (63.7)	1,627 (64.1)
	TF500	2,255 (88.8)	5,035 (198.2)	6	6	1,500 (3,075)	1,400 (2,850)	1,875 (3,850)	1,400 (2,875)	1,320 (2,700)	1,775 (3,625)	3,080 (6,789)	3,280 (7,230)	3,411 (7,519)	1,218 (48.0)	1,218 (48.0)	1,226 (48.3)	1,719 (67.7)	1,719 (67.7)	1,727 (68.0)
	TF550	2,455 (96.7)	5,535 (217.9)	6	5	1,350 (2,775)	950 (2,075)	1,250 (2,600)	1,265 (2,600)	900 (1,650)	1,180 (2,450)	3,117 (6,873)	3,317 (7,314)	3,448 (7,602)	1,418 (55.8)	1,418 (55.8)	1,426 (56.1)	1,919 (75.6)	1,919 (75.6)	1,927 (75.9)
	TF600	2,655 (104.5)	6,035 (237.6)	6	5	750 (1,650)	525 (1,150)	650 (1,425)	700 (1,550)	475 (1,050)	600 (1,325)	3,189 (7,031)	3,389 (7,472)	3,520 (7,761)	1,618 (63.7)	1,618 (63.7)	1,626 (64.0)	2,119 (83.4)	2,119 (83.4)	2,127 (83.7)
	TF650	2,855 (112.4)	6,535 (257.3)	3	3	700 (1,425)	500 (1,100)	600 (1,100)	600 (1,325)	450 (990)	450 (1,000)	3,234 (7,129)	3,434 (7,570)	3,565 (7,859)	1,818 (71.6)	1,818 (71.6)	1,826 (71.9)	2,319 (91.3)	2,319 (91.3)	2,327 (91.6)
TF700	3,055 (120.3)	7,035 (277.0)	3	3	500 (1,100)	350 (770)	400 (660)	450 (990)	300 (675)	255 (550)	3,270 (7,209)	3,470 (7,650)	3,601 (7,939)	2,018 (79.4)	2,018 (79.4)	2,026 (79.8)	2,519 (99.2)	2,519 (99.2)	2,527 (99.5)	

* Standard

Load Capacity



Dimension



Specification

Identification			
1.1	Manufacturer	Hyundai	Hyundai
1.2	Manufacturer's type designation	15LC-7	18LC-7
1.3	Drive: electric (battery or mains), diesel, petrol, fuel gas, manual	FUEL GAS	FUEL GAS
1.4	Type of operation: hand, pedestrian, standing, seated, order-picker	seated	seated
1.5	Load capacity / rated load	kg/lb	1,500 / 3,000
1.6	Load center distance	c (mm/in)	500 / 24
1.8	Load distance, center of drive axle to fork	x (mm/in)	394 / 15.5
1.9	Wheelbase	y (mm/in)	1,250 / 49.2

Weights			
2.1	Service weight	kg/lb	2,818 / 6,123
2.2	Axle loading, loaded front/rear	kg	3,726 / 592
2.3	Axle loading, unloaded front/rear	kg	1,276 / 1,542

Wheels, Chassis			
3.1	Tires: solid rubber, superelastic, pneumatic, polyurethane	Pneumatic	Pneumatic
3.2	Tires size, front (ax width)	6.50-10-12PR	6.50-10-12PR
3.3	Tires size, rear (ax width)	5.00-8-10PR	5.00-8-10PR
3.5	Wheels, number front x rear (x=driven wheels)	2 x 2	2 x 2
3.6	Track width, front	mm/in	890 / 35
3.7	Track width, rear	mm/in	910 / 36

Basic Dimensions			
4.1	Mast / fork carriage tilt forward / backward (α/β) degrees	6 / 8	6 / 8
4.2	Lowered mast height	h1 (mm/in)	2,155 / 85
4.3	Free lift	h2 (mm/in)	145 / 5.7
4.4	Lift height	h3 (mm/in)	3,300 / 130
4.5	Extended mast height	h4 (mm/in)	4,332 / 171
4.7	Overhead load guard (cab) height	h5 (mm/in)	2,140 / 84
4.8	Seat height / standing height	h7 (mm/in)	1,040 / 41
4.12	Coupling height	h10 (mm/in)	229 / 9
4.19	Overall length	l1 (mm/in)	3,003 / 118
4.20	Length to face of forks	l2 (mm/in)	2,103 / 83
4.21	Overall width	b1 (mm/in)	980 / 38.5
4.22	Fork dimensions (hook type)	l / w / t (mm/in)	900 x 100 x 35 / 35.4 x 4 x 1.4
4.23	Fork carriage ISO 2328, class / type A,B	l1 / A	l1 / A
4.24	Fork-carriage width	b12 (mm/in)	1,060
4.31	Ground clearance, loaded, under mast	m1 (mm/in)	120 / 4.7
4.32	Ground clearance, centre of wheelbase	m2 (mm/in)	96 / 3.8
4.33	Aisle width for pallets 1,000x1,200 crossways (LxW)	Ast (mm/in)	3,491 / 137.4
4.34	Aisle width for pallets 800x1,200 lengthways (WxL)	Ast (mm/in)	3,691 / 145
4.35	Turning radius	Wa (mm/in)	1,889 / 74
4.36	Smallest pivot point distance	b13 (mm/in)	586 / 23

Performance Data			
5.1	Travel speed, unloaded	km/h / mph	19.7 / 12.2
5.2	Lift speed, loaded/unloaded	mm/s	650 / 680
5.3	Lowering speed, loaded/unloaded	mm/s	500 / 450
5.5	Drawbar pull, loaded	kg/lb	1,423 / 3,137
5.7	Gradient performance, loaded/unloaded	%	34
5.9	Acceleration time, loaded/unloaded (10m)	sec	NA
5.10	Service brake		Mechanic / Hydraulic

Engine			
6.1	Engine manufacturer / type	HMC BETA	HMC BETA
6.2	Engine power acc. to ISO 1585	kW	37
6.3	Rated speed	1/min	2,450
6.4	No. of cylinder / cubic capacity	anz / cm ³	4 / 1,975
6.5	Fuel consumption acc. to VDI cycle	g/h	NA

Other Details			
8.1	Type of drive control	Power Shift	Power Shift
8.2	Operating pressure (System / Attach)	bar	195 / 153
8.3	Oil volume	g	30
8.4	Sound level at driver's ear according to DIN 12 053	db(A)	NA

1) with DZ mast +25mm; with integrated sideshift x=375mm (with DZ mast +25mm); with hook-on sideshift x=410.5mm (with DZ mast +25mm)